



Hood with tempered glass lens reduces glare and protects lamp from water and impact damage. Die cast aluminum. Fits H101 and HB101. Can be combined with HG1 Guard.

Color: Black

Weight: 0.8 lbs

Project:

Type:

Prepared By:

Date:

## Technical Specifications

### Construction

**Material:**

Die cast aluminum

**Lens:**

Tempered glass lens included

### Guard:

Designed to fit the H101 and HB101. Can be combined with HG1 Guard.

### Stealth Accessory:

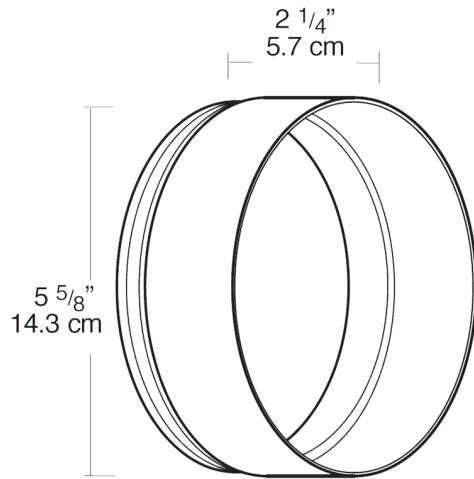
Guards also fit RAB's Stealth Bullet and Bell Flood Kits. [See Stealth Page.](#)

### Other

**Buy American Act Compliance:**

RAB values USA manufacturing! Upon request, RAB may be able to manufacture this product to be compliant with the Buy American Act (BAA). Please contact customer service to request a quote for the product to be made BAA compliant.

## Dimensions



## Features

- Die cast aluminum
- Hood includes tempered glass lens
- Glass lens reduces glare
- Protects lamp from water and impact damage
- Fits H101 and HB101